

## Food Processor TrinityPro Cutter Mixer 3,6 Lt - Single Speed - Japan

ITEM # \_\_\_\_\_

MODEL # \_\_\_\_\_

NAME # \_\_\_\_\_

SIS # \_\_\_\_\_

AIA # \_\_\_\_\_


**602319 (K36J1)**

Cutter Mixer 3.6 Lt with stainless steel bowl, single speed, JIS plug (Japan)

### Short Form Specification

**Item No.** \_\_\_\_\_

Table top Cutter Mixer. 3,6 litres, stainless steel bowl with scraper and central feed hole for adding products in mid-cycle. Transparent copolyester lid. Microtoothed blade rotor. Angled blades and conical base of the bowl ensure consistent mixing. All ingredients are processed evenly and quickly thanks to a special flow generated inside the bowl. No-volt release system prevents accidental start of the appliance. All parts in contact with food are removable and Dishwasher safe. Waterproof, easy to clean, flat, soft-touch buttons. Single speed with on/pulse/off function for simple operations. With JIS plug

### Main Features

- Tabletop cutter mixer and emulsifier allowing fast chopping, mixing, mincing, grinding, liquidizing and kneading.
- Bowl/lid scraper included for uniform smooth results (emulsifying) and continuous working.
- Transparent lid, with funnel shaped hole, to add ingredients during use.
- All ingredients are processed evenly and quickly thanks to a special movement generated inside the bowl.
- Easy to clean and waterproof control panel with flat on/off button and pulse function.
- Pulse function for coarse chopping.
- All parts in contact with food are removable without the use of tools, completely dismantlable and dishwasher safe.
- ErgoCert 4-star certification for ergonomic design and ease of use.
- Productivity up to 50 settings per service.
- Includes 3,6 liter stainless steel bowl with micro-toothed rotor.

### Construction

- Bowl in AISI 304 stainless steel.
- Micro-toothed blades in 420 AISI stainless steel and ergonomic scraper in resistant composite material to ensure consistent mixing.
- compact design, easy to move and store.
- IPX5 (IP55) waterproof, flat, touch-control panel.
- Main switch ON/OFF on the back of the appliance.
- Asynchronous industrial motor with no brushes for high reliability and quiet functioning, stainless steel motor shaft.
- 1 speed model.

**APPROVAL:** \_\_\_\_\_



**Included Accessories**

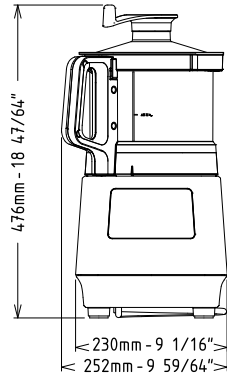
- 1 of Microtoothed blade rotor for 3,6lt Cutter Mixer PNC 650233
- 1 of Stainless steel bowl for 3,6lt Cutter Mixer PNC 650235
- 1 of Scraper for 3,6lt Cutter Mixer bowl PNC 650236
- 1 of Transparent lid for 3,6lt Cutter Mixer bowl with sealing and scraper PNC 653862

**Optional Accessories**

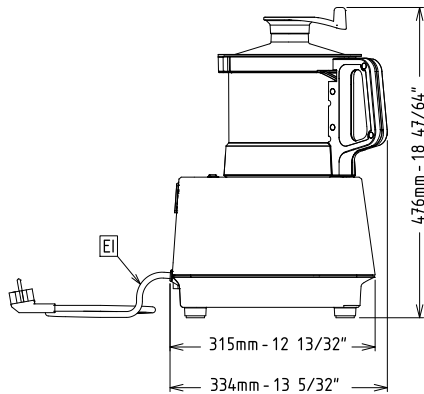
- Transparent lid for 2,6lt Cutter Mixer bowl PNC 650117
- Transparent lid without sealing for 3,6lt Cutter Mixer bowl (1 speed models) PNC 650118
- Microtoothed blade rotor for 2,6lt Cutter Mixer PNC 650226
- Smooth blade rotor for 2,6lt Cutter Mixer PNC 650227
- Stainless steel bowl for 2,6lt Cutter Mixer PNC 650228
- Transparent copolyester bowl for 2,6lt Cutter Mixer PNC 650229
- Scraper for 2,6lt Cutter Mixer bowl PNC 650230
- Stainless steel bowl for 2,6lt Cutter Mixer, microtoothed rotor, lid with scraper PNC 650231
- Microtoothed blade rotor for 3,6lt Cutter Mixer PNC 650233
- Smooth blade rotor for 3,6lt Cutter Mixer PNC 650234
- Stainless steel bowl for 3,6lt Cutter Mixer PNC 650235
- Scraper for 3,6lt Cutter Mixer bowl PNC 650236
- Transparent bowl for 2,6lt cutter mixer, microtoothed rotor, lid with scraper PNC 650245



Front

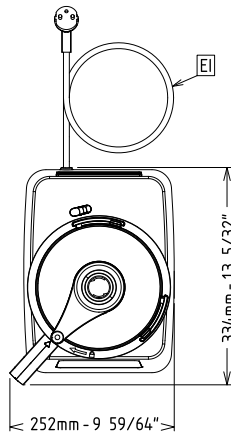


Side



EI = Electrical inlet (power)

Top


**Electric**
**Supply voltage:**

602319 (K36J1)

100 V/1N ph/50/60 Hz

**Electrical power max.:**

0.55 kW

**Capacity:**
**Capacity:**

3.6 litres

**Key Information:**
**External dimensions, Width:** 252 mm

**External dimensions, Depth:** 334 mm

**External dimensions, Height:** 476 mm

**Shipping weight:** 16 kg